

# ADA REQUIREMENTS - ACCESSIBLE PARKING SPACES AND PASSENGER LOADING ZONES (4.6)

## 1) Minimum Number of Spaces:

4.6.1

Total # of Spaces	Required Minimum # of Accessible Spaces
1-25.....	1
26-50.....	2
51-75.....	3
76-100.....	4

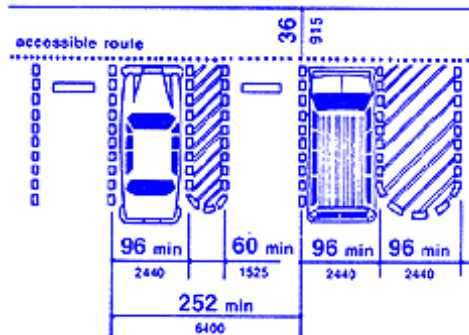
4.1.2(5)(a)

\*1 out of every 8 Accessible spaces needs to meet the “Van Accessible” requirements mentioned below. If only 1 accessible space is provided, then it must meet the “van accessible” requirements. 4.1.2(5)(b)

**2) Location:** 4.6.2 Accessible parking spaces serving a particular building shall be located on the shortest accessible route of travel from adjacent parking to an accessible entrance. In parking facilities that do not serve a particular building, accessible parking shall be located on the shortest accessible route of travel to an accessible pedestrian entrance of the parking facility. In buildings with multiple accessible entrances with adjacent parking, accessible parking spaces shall be dispersed and located closest to the accessible entrances.

**3) Parking Spaces:** 4.6.3 Accessible parking spaces shall be at least 96 in wide. Parking access aisles shall be a minimum of 60 in wide and must be part of an accessible route to the building or facility entrance. Two accessible parking spaces may share a common access aisle. Parking spaces and access aisles shall be level with surface slopes not exceeding 1:50 (2%) in all directions.

**“Van Accessible Spaces”**- The space must be at least 96 in wide with an access aisle that is also 96 in wide.

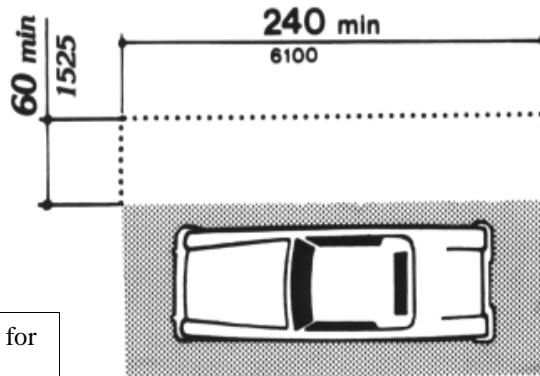


**4) Signage:** 4.6.4 Accessible parking spaces shall be designated as reserved by a sign showing the symbol of accessibility. Van accessible spaces shall have an additional sign "Van-Accessible" mounted below the symbol of accessibility. Such signs shall be located so they cannot be obscured by a vehicle parked in the space.



**5) Vertical Clearance:** 4.6.5 At “van accessible” parking spaces, provide minimum vertical clearance of 98 in at the parking space and along at least one vehicle access route to such spaces from site entrance(s) and exit(s). Provide minimum vertical clearance of 114 in at accessible passenger loading zones and along at least one vehicle access route to such areas from site entrance(s) and exit(s).

**6) Passenger Loading Zones:** 4.6.6 Passenger loading zones shall provide an access aisle at least 60 in wide and 20 ft (240 in) long adjacent and parallel to the vehicle pull-up space. If there are curbs between the access aisle and the vehicle pull-up space, then an accessible curb ramp shall be provided. Vehicle standing spaces and access aisles shall be level with surface slopes not exceeding 1:50 (2%) in all directions.



\*\*All requirements were taken from the ADA Accessibility Guidelines for 4.6 Parking and Passenger Loading Zones.  
[http://www.adaportal.org/Facility\\_Access/ADAAG/ADAAG\\_TOC.html](http://www.adaportal.org/Facility_Access/ADAAG/ADAAG_TOC.html)